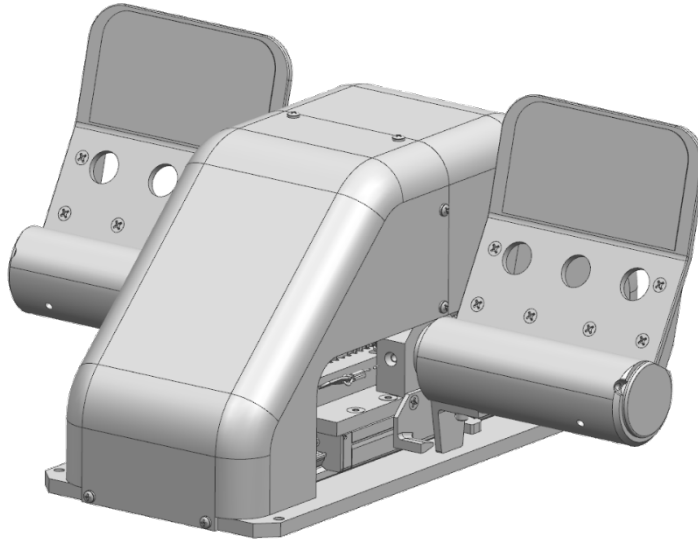




24B120098-1001 Generic Force Feedback Rudder/Yaw Pedals

The Bugeye force feedback pedals are meticulously designed to meet the rigorous performance demands of military and commercial flight simulation, while maintaining a small footprint and unmatched value. These pedals are configured to suit a wide variety of fixed wing and rotorcraft applications. The system utilizes a combination of brushless motors, harmonic drives, and high-resolution sensors to deliver high transmission accuracy with zero backlash.



Additional Features of the Bugeye Force feedback pedals:

- Supports stand-alone operation as well as electronic synchronization for pilot/co-pilot situations.
- Designed to allow for different gear assemblies to be installed into the same mechanism, resulting in higher or lower force outputs at the stick as required.
- An integrated I/O card that converts pedal input signals to USB and Ethernet output for the host simulation.
- Bugeye Software is Included. Software features include:
 - End users can create customized flight profiles for a wide variety of aircraft with no coding required.
 - Does not require its' own computer. It can be loaded directly on the host computer.
 - Software can be bypassed when the host simulation contains a flight model or force profile within it.
- Communication via UDP protocol with the host.
- Forces applied to the pedals with a minimum update rate of 60 Hz.
- Utilizes components that eliminate backlash and mechanical wear resulting in smooth and maintenance free operation.

